



**Buchanan**

TE Internal #: 284051-8

PCB Terminal Blocks, Plug, Wire-to-Board, 8 Position, .4 in [10.16 mm] Centerline, 1 Row, Side Wire Entry Angle, 30 – 12 AWG Wire Size

[View on TE.com >](#)

Connectors > Terminal Blocks & Strips > PCB Terminal Blocks



Terminal Block Connector Type: **Plug**

Connector System: **Wire-to-Board**

Number of Positions: **8**

Centerline (Pitch): **10.16 mm [ .4 in ]**

Number of Rows: **1**

**Features**

**Product Type Features**

|                                   |               |
|-----------------------------------|---------------|
| Wire Protection                   | With          |
| Block Type                        | Stacking Plug |
| Terminal Block Connector Type     | Plug          |
| Connector System                  | Wire-to-Board |
| Connector & Contact Terminates To | Wire & Cable  |

**Configuration Features**

|                     |         |
|---------------------|---------|
| Stacked Levels      | Without |
| Number of Positions | 8       |
| Number of Rows      | 1       |
| Wire Entry Angle    | Side    |

**Electrical Characteristics**

|                      |         |
|----------------------|---------|
| Current Rating (Max) | 15 A    |
| Voltage Rating       | 600 VAC |

**Body Features**



|           |         |
|-----------|---------|
| Interlock | Without |
|-----------|---------|

### Contact Features

|                                      |                 |
|--------------------------------------|-----------------|
| Contact Mating Area Plating Material | Tin             |
| Contact Base Material                | Phosphor Bronze |
| Contact Current Rating (Max)         | 15 A            |

### Mechanical Attachment

|                          |          |
|--------------------------|----------|
| Screwless Terminal Block | No       |
| Mounting Angle           | Vertical |
| Screw Size               | M3       |
| Screw Plating Material   | Nickel   |
| Screw Material           | Brass    |
| Screw Flange             | Without  |

### Housing Features

|                    |                  |
|--------------------|------------------|
| Housing Color      | Green            |
| Housing Material   | PA 66            |
| Centerline (Pitch) | 10.16 mm [.4 in] |

### Dimensions

|           |                         |
|-----------|-------------------------|
| Wire Size | .05 – 3 mm <sup>2</sup> |
|-----------|-------------------------|

### Usage Conditions

|                             |                             |
|-----------------------------|-----------------------------|
| Operating Temperature Range | -40 – 105 °C [-40 – 221 °F] |
|-----------------------------|-----------------------------|

### Operation/Application

|                     |                |
|---------------------|----------------|
| Circuit Application | Power & Signal |
|---------------------|----------------|

### Packaging Features

|                    |     |
|--------------------|-----|
| Packaging Method   | Box |
| Packaging Quantity | 50  |

### Product Compliance

For compliance documentation, visit the product page on [TE.com](https://www.te.com)>

|   |                                      |
|---|--------------------------------------|
| EU RoHS Directive 2011/65/EU                  | Compliant with Exemptions            |
| EU ELV Directive 2000/53/EC                   | Not Yet Reviewed                     |
| China RoHS 2 Directive MIIT Order No 32, 2016 | Restricted Materials Above Threshold |

EU REACH Regulation (EC) No. 1907/2006

Current ECHA Candidate List: JUNE 2022  
(224)Candidate List Declared Against: JUN 2018  
(191)

SVHC &gt; Threshold:

Pb (3% in Component Part)

**Article Safe Usage Statements:**

Do not eat, drink or smoke when using this product. Wash thoroughly after handling. Recycle if possible and dispose of the article by following all applicable governmental regulations relevant to your geographic location.

Halogen Content

Low Halogen - Br, Cl, F, I < 900 ppm per  
homogenous material. Also BFR/CFR/PVC  
Free

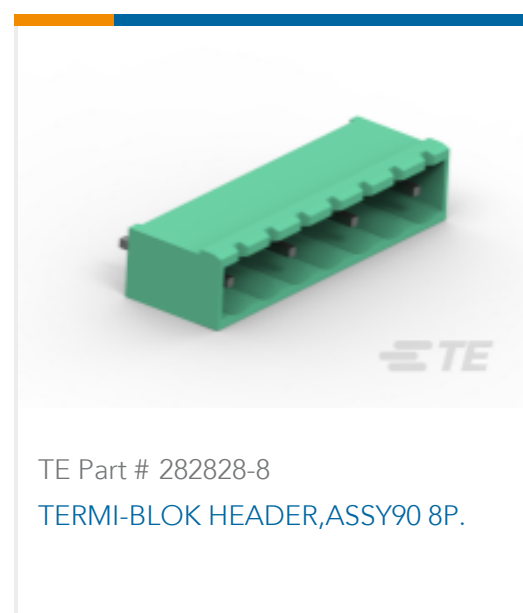
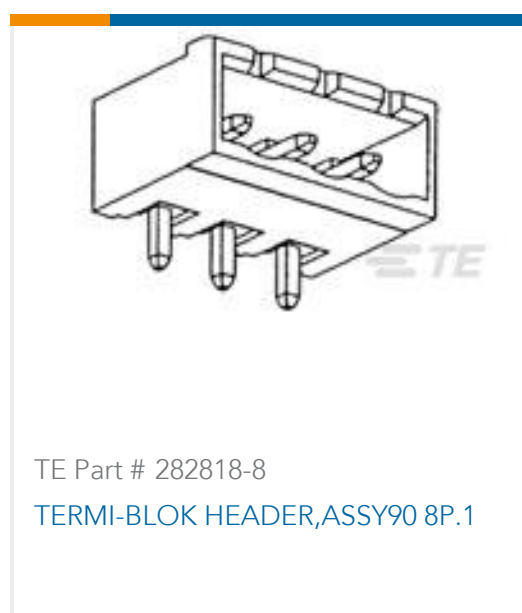
Solder Process Capability

Not applicable for solder process capability

## Product Compliance Disclaimer

This information is provided based on reasonable inquiry of our suppliers and represents our current actual knowledge based on the information they provided. This information is subject to change. The part numbers that TE has identified as EU RoHS compliant have a maximum concentration of 0.1% by weight in homogenous materials for lead, hexavalent chromium, mercury, PBB, PBDE, DBP, BBP, DEHP, DIBP, and 0.01% for cadmium, or qualify for an exemption to these limits as defined in the Annexes of Directive 2011/65/EU (RoHS2). Finished electrical and electronic equipment products will be CE marked as required by Directive 2011/65/EU. Components may not be CE marked. Additionally, the part numbers that TE has identified as EU ELV compliant have a maximum concentration of 0.1% by weight in homogenous materials for lead, hexavalent chromium, and mercury, and 0.01% for cadmium, or qualify for an exemption to these limits as defined in the Annexes of Directive 2000/53/EC (ELV). Regarding the REACH Regulation, the information TE provides on SVHC in articles for this part number is based on the latest European Chemicals Agency (ECHA) 'Guidance on requirements for substances in articles' posted at this URL: <https://echa.europa.eu/guidance-documents/guidance-on-reach>

## Compatible Parts



## Documents

## CAD Files

## Customer View Model

[ENG\\_CVM\\_CVM\\_284051-8\\_D1.3d\\_stp.zip](#)

English

## Customer View Model

[ENG\\_CVM\\_CVM\\_284051-8\\_D1.2d\\_dxf.zip](#)

English

## 3D PDF

3D



### Customer View Model

[ENG\\_CVM\\_CVM\\_284051-8\\_D1.3d\\_igs.zip](#)

English

By downloading the CAD file I accept and agree to the [Terms and Conditions](#) of use.

---

### Datasheets & Catalog Pages

[BUCHANAN TERMINAL BLOCKS CATALOG - EUROSTYLE TERMINAL BLOCKS](#)

English

[BUCHANAN PCB TERMINAL BLOCKS](#)

English

[1-1773458-1\\_EURO\\_STYLE\\_TERMINAL\\_BLOCKS\\_QRG](#)

English

---

### Product Specifications

[Application Specification](#)

English